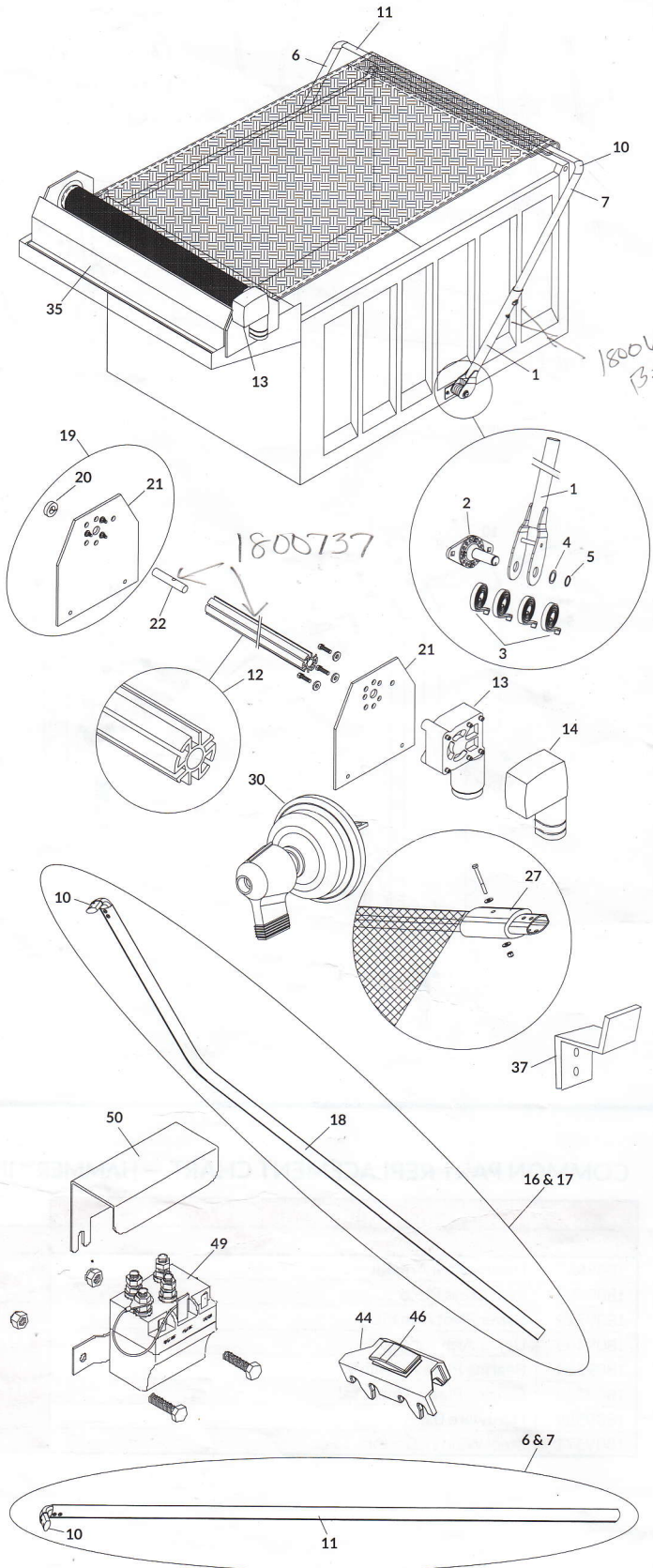


REPLACEMENT PARTS - BULLET™

BULLET™

ITEM	PART NO.	DESCRIPTION
	1801595	Bullet™ Arm Kit - Straight Arm
	1805259	Bullet™ Arm Kit - 30° Bend
1	1801176	Pivot Arm Weldment
2	1809824	Pivot Spring Assembly w/Base - Adjustable 4-Spring
3	1800763	Flat Coil Torsion Spring
4	1800977	Shim - 1-1/4" ID x .047
5	1800978	Retaining Ring - 1-1/4"
6	1801188*	Upper Arm w/90° Bend - Right Side [Includes 10; 11; 2 of 8 & 9]
7	1801189	Upper Arm w/90° Bend - Left Side [Includes 10; 11; 2 of 8 & 9]
8	1800609*	Shoulder Bolt - 1/4" x 1-1/4"
9	1800610*	Tee Nut - 1/4-20 x 7/16"
10	1801972	Elbow - 90° - Aluminum Diecast
11	1801205	Extrusion - Drilled - 100" (Used for Upper Straight Arm & Rear Cross Piece)
12	1809330	Extruded Roller Bar
13	1802061	Direct-Drive Motor - 12V
14	1801585	Motor Cover - Chrome - 1 Pc.
15	1800028*	Dual-Conductor Wire - 8 Ga. - 60'
16	1800333	Upper Arm w/30° Bend - Left Side w/Elbow
17	1800334*	Upper Arm w/30° Bend - Right Side w/Elbow
18	1800332*	Upper Arm Extrusion - 30° Bend
19	1802007	Bearing Plate Assembly - Zinc [Includes 20 & 21]
20	1800042	Bearing - 3/4"
21	1802000	Universal Bearing Plate - Zinc
22	1800980	Shaft Extension - 3/4" x 4"
23	1801407*	Pivot Mount Hardware
24	1801568*	Head Assembly Hardware Bag
25	1800089*	Shaft Collar - 3/4" Single
26	1800679*	Bumper Kit - 6"
27	1800437	Tarp Stop - Rubber - 6"
28	1801409*	Bullet™ Hardware Bag
29	1802076*	Rotary Switch Assembly [Includes 30; 32; 33; 2 of 34; 8 of 31]
30	1110551	Heavy-Duty Rotary Switch
31	1800430*	Ring Terminal - 8 Ga. x 1/4" Stud
32	1800516*	Rotary Switch Bracket
33	1800536*	Circuit Breaker - 40 Amp
34	1801486*	Ring Terminal - 8 Ga. x 3/8" Stud - Battery
		OPTIONS
35	1801919	Aluminum Wind Deflector - 1 Pc.
36	1801999*	Aluminum Pivot Arm Rest - Qty 2 [Includes 39; 2 of 34 & 35]
37	1801251	Aluminum Pivot Arm Rest Bracket
38	1800437*	Rubber Bumper - Drilled - 6"
39	1801408*	Pivot Arm Rest Hardware Bag
40	1809047*	Durabuilt™ Switch - 40 Amp - 12V
41	1800433*	Durabuilt™ Hardware Bag [Includes 4 of 48; 6 of 47]
42	1800443*	Solenoid Hardware Bag [Includes 49; 50]
43	1800420*	Durabuilt™ Cable Assembly
44	1800440	Rocker Switch Bracket
45	1800575*	Circuit Breaker - 40 Amp - Marine Grade
46	1800602	Rocker Switch - 12V
47	1800927*	Ring Terminal - 6 Ga. x 3/8" Stud - Battery
48	1801544*	Ring Terminal - 6 Ga. x 1/4" Stud
49	1703845	Motor-Reversing Solenoid
50	1703896	Solenoid Cover
51	1800737*	Replacement Aluminum Roller Bar w/Shaft [Includes 12 & 22]



* These items are NOT shown in the drawing; numbered for future reference.

1800028 - Wire 60'