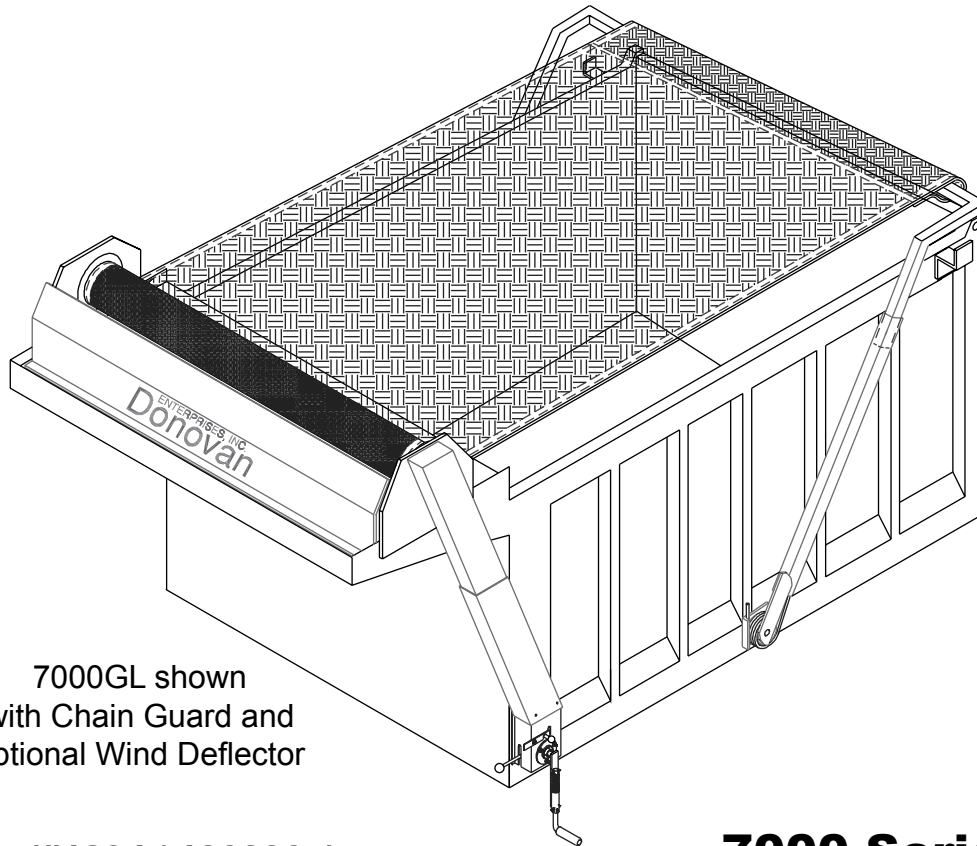


7000 Series



7000GL shown
with Chain Guard and
optional Wind Deflector

7000GL (#1294 / 1803907)

- Ground Level Control
- Enclosed Crank Box Housing
- Disengaging Handle
- Positive Locking Brake System
- 10' of 40# Chain
- Chain Guard
- Wind Deflector (Optional)

7000ELD (#35 / 1803896)

- 12 volt Direct Drive Motor
- Cab Mounted Control Switch
- Circuit Breaker w/ auto reset
- 3-Year Full Replacement Motor Warranty
- Wind Deflector (Optional)
- 24 volt Direct Drive Motor (Optional)

7000 Series

Standard Features:

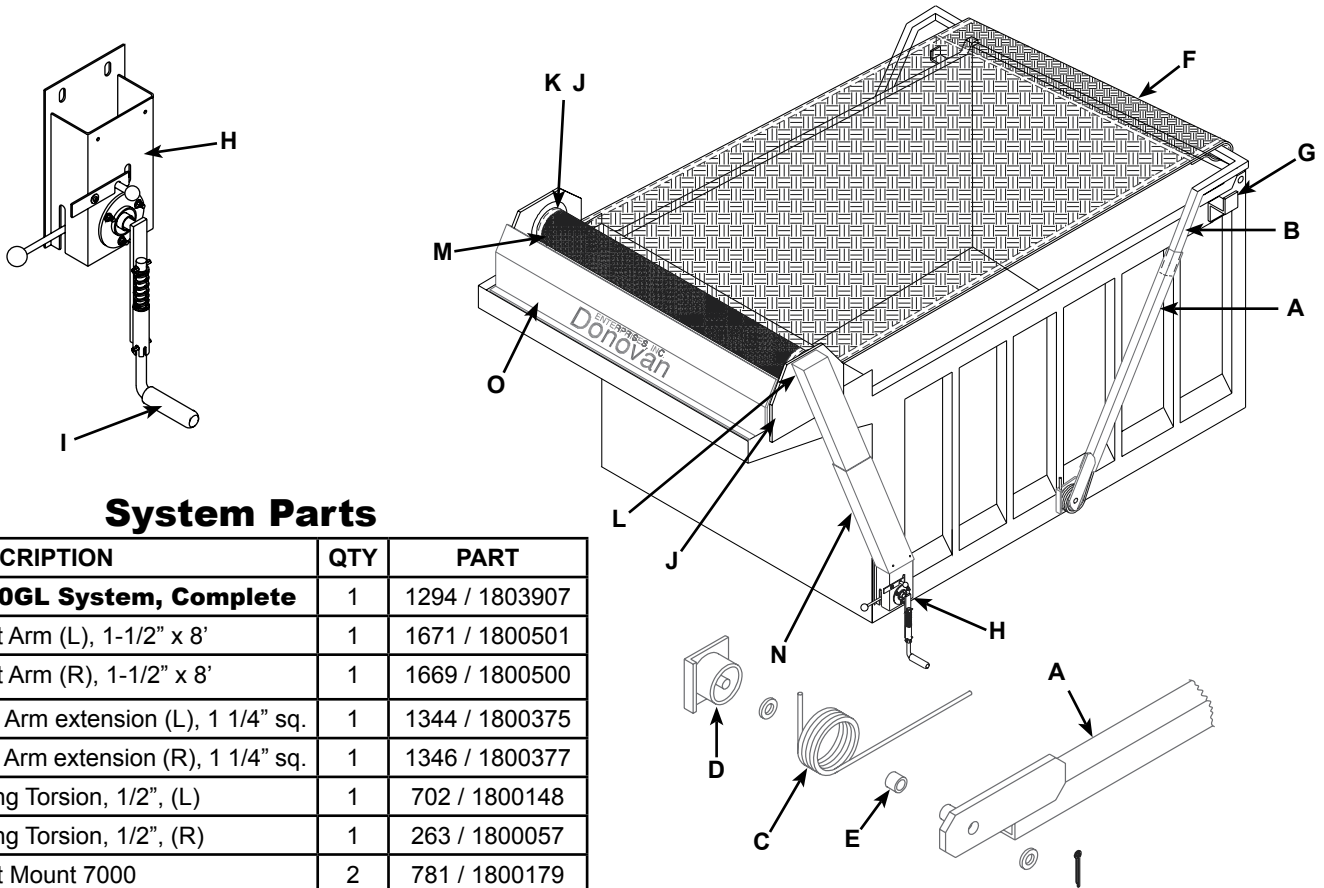
- One size fits up to 20 ft. bodies
- 1-1/2" Square Tube "Easy-Off" Pivot Arms
- Bent Pivot Arm Extensions
- 1/2" Chrome Silicon Torsion Springs

- Chain Guard

Optional Upgrades:

- Wind Deflector
- Pivot Arm Rests

7000GL



System Parts

	DESCRIPTION	QTY	PART
	7000GL System, Complete	1	1294 / 1803907
A	Pivot Arm (L), 1-1/2" x 8"	1	1671 / 1800501
	Pivot Arm (R), 1-1/2" x 8"	1	1669 / 1800500
B	Bent Arm extension (L), 1 1/4" sq.	1	1344 / 1800375
	Bent Arm extension (R), 1 1/4" sq.	1	1346 / 1800377
C	Spring Torsion, 1/2", (L)	1	702 / 1800148
	Spring Torsion, 1/2", (R)	1	263 / 1800057
D	Pivot Mount 7000	2	781 / 1800179
E	Bearing, oil impregnated, 1"	2	1665 / 1800497
F	Rear Cross Piece	1	1348 / 1800378
G	Pivot Arm Rest (Optional)	2	952 / 1800254
H	GL Control Box, 7000/9000	1	780 / 1800178
I	-Crank Handle	1	1000 / 1800275
	Chain, #40 x 10'	1	793 / 1800188
	Chain, Master Link, #40	1	272 / 1800058
J	Bearing Plate, Universal	2	3270 / 1801201
K	-Bearing, Flange, 3/4"	2	145 / 1800042
L	Shaft/Sprocket Assembly	1	2403 / 1800758
M	Roller Bar, Aluminum	1	2365 / 1800737
N	Chain Guard, Complete	1	2083 / 1800639
	-Chain Guard Upper	1	790 / 1800185
	-Chain Guard Lower	1	791 / 1800186
	-Chain Guard Bracket	3	1412 / 1800404
O	Wind Deflector, 2 piece (Optional)	1	1647K / 1801943
	Extension shaft, 3/4"	1	2838 / 1800980

Mounting Hardware

DESCRIPTION	QTY	PART
Bolt, hex, 3/8" x 1 1/2"	11	2464 / 1800790
Washer, lock, 3/8"	4	2872 / 1800991
Nut, hex, 3/8"	4	2873 / 1800992
Bolt, hex, 1/4" x 5/8"	2	2432 / 1800771
Washer, lock, 1/4"	12	2458 / 1800785
Bolt, hex, 3/8" x 1/2"	2	4107 / 1801497
Nut, lock, 3/8"	9	2874 / 1800993
Screw self tap, 1/4" x 3/4"	12	3299 / 1801224
Cotter Pin, 1/4" x 3"	6	2475 / 1800801
Washer, flat, 3/8"	18	2875 / 1800994
Shaft Collar 3/4"	2	148 / 1800045
Washer 1", 2 1/2" OD	4	182 / 1800048
Nut, lock, 5/16"	2	2868 / 1800990
Bolt, carriage 5/16"x2 1/2"	2	3237 / 1801187
Washer, flat, 5/16"	2	2867 / 1800989

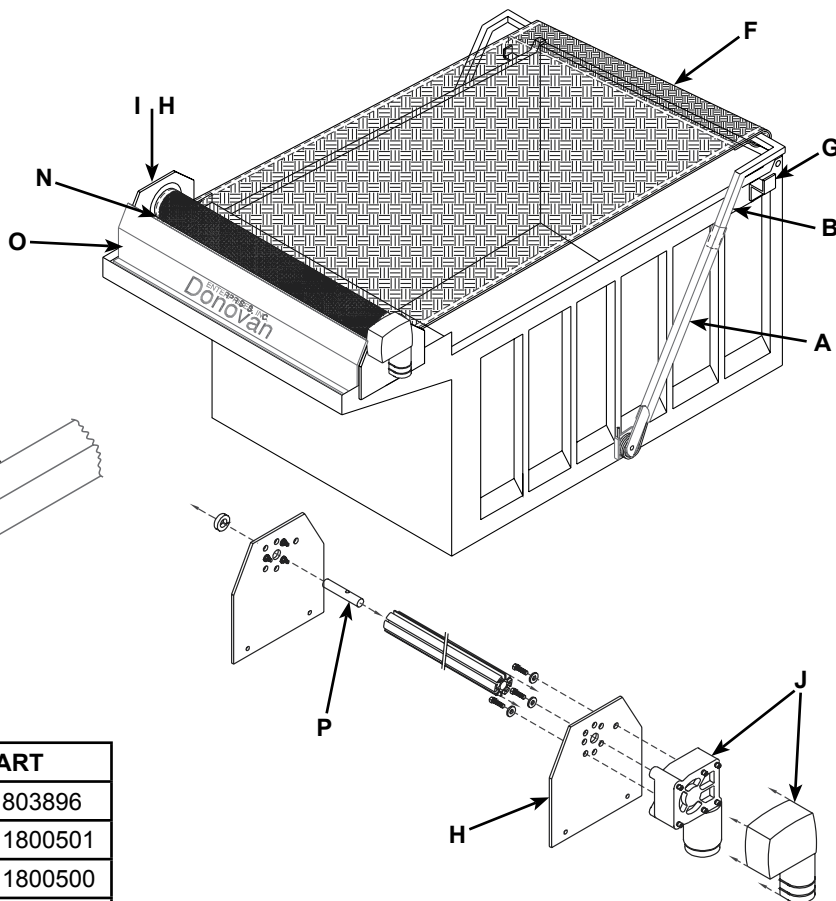
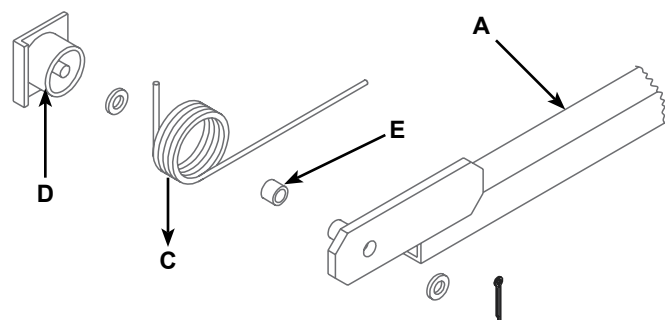
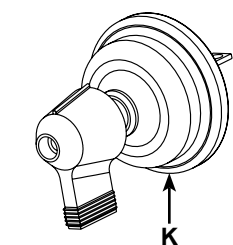
Heavy Duty Truck Division Tarp System Parts Catalog - June 2014

Shur-Co®, LLC Donovan of Florida • 3353 SE Gran Park Way • Stuart, FL 34997

Outside the U.S. call (772) 286-3350 • www.donovan-ent.com • e-mail: info@donovan-ent.com

Call (800) 327-8287 or (772) 286-3350 • Fax (772) 287-0431

7000ELD



System Parts

	DESCRIPTION	QTY	PART
	7000ELD, full system	1	35 / 1803896
A	Pivot Arm (L), 1-1/2" x 8'	1	1671 / 1800501
	Pivot Arm (R), 1-1/2" x 8'	1	1669 / 1800500
B	Bent Arm extension (L), 1 1/4" sq.	1	1344 / 1800375
	Bent Arm extension (R), 1 1/4" sq.	1	1346 / 1800377
C	Spring Torsion, 1/2", (L)	1	702 / 1800148
	Spring Torsion, 1/2", (R)	1	263 / 1800057
D	Pivot Mount 7000	2	781 / 1800179
E	Bearing, oil impregnated, 1"	2	1665 / 1800497
F	Rear Cross Piece	1	1348 / 1800378
G	Pivot Arm Rest (Optional)	2	952 / 1800254
H	Bearing Plate, Universal	2	3270 / 1801201
I	Bearing, Flange, 3/4"	1	145 / 1800042
J	Motor, Direct Drive w/ cover	1	61G / 1802061
N	Roller Bar, Extruded Aluminum	1	2365 / 1800737
O	Wind Deflector, 2 piece (Optional)	1	1647K / 1801943
P	Extension shaft, 3/4" x 4"	1	2838 / 1800980
	Rotary Switch Kit	1	85N / 1802076
K	-Rotary Switch	1	600 / 1800120

Mounting Hardware

DESCRIPTION	QTY	PART
Bolt hex, 3/8" x 1 1/2"	8	2464 / 1800790
Washer, lock, 3/8"	4	2872 / 1800991
Nut, lock, 3/8"	4	2874 / 1800993
Nut, lock, 5/16"	2	2868 / 1800990
Cotter Pin, 1/4" x 3"	6	2475 / 1800801
Screw, Sheet Metal #10x 3/4"	2	2476 / 1800802
Bolt, Hex, 5/16" x 3/4"	3	2418
Washer, flat, 3/8"	12	2875 / 1800994
Nut, Lock, 3/8"	4	2874 / 1800993
Washer, flat 1", 2 1/2" OD	4	182 / 1800048
Bolt, carriage, 5/16" x 2 1/2"	2	3237 / 1801187
Washer, flat 5/16"	2	2867 / 1800989
3/4" Shaft Collar	1	450 / 1800089

Heavy Duty Truck Division Tarp System Parts Catalog - June 2014

Shur-Co®, LLC Donovan of Florida • 3353 SE Gran Park Way • Stuart, FL 34997

Outside the U.S. call (772) 286-3350 • www.donovan-ent.com • e-mail: info@donovan-ent.com

Call (800) 327-8287 or (772) 286-3350 • Fax (772) 287-0431